
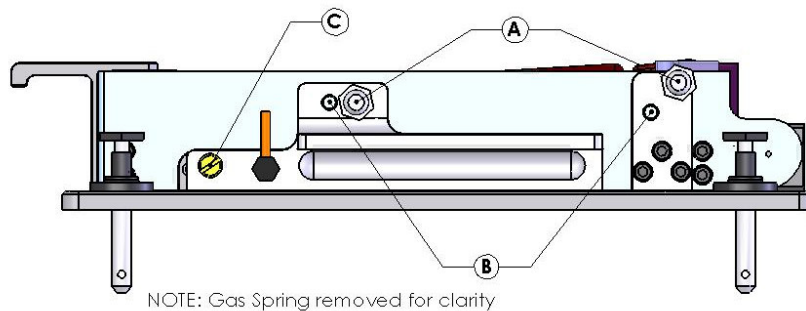


iTech Vacuum Box Instructions

Gas Spring configurations – The iTech vacuum box offers two (2) different gas spring configurations which allows the force exerted by the gas springs to be adjusted. This adjustment can be achieved by positioning the attachment () in the following arrangements:

Configuration A: Increased spring force – Secure operator mode
Configuration B: Lowered spring force – Unsecured mode

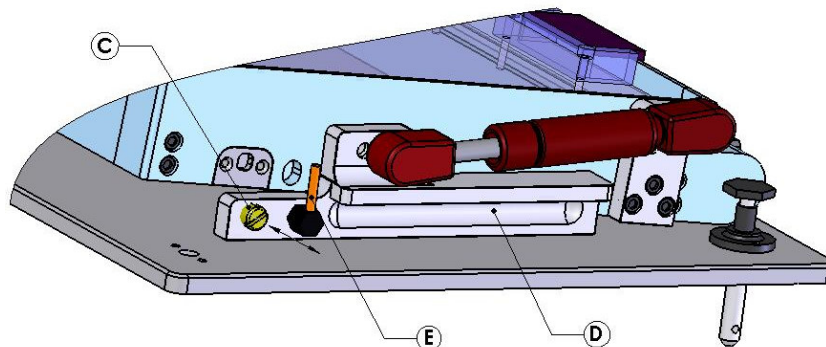


iTech vacuum box
Patent pending

Locking Ball Plunger – The locking ball plunger prevents the lid from opening accidentally under the force applied by the gas springs. ***This feature is only necessary for configuration A and can be omitted for configuration B.*** The tension of the locks can be adjusted by turning the adjustment screw (C).

Adjustment:

- To increase the retaining force, turn the adjustment screw clockwise
- To decrease the retaining force, turn the adjustment screw counter-clockwise



Top Plate Handles – The top plate can be removed from the fixture using handles (D). The top plate guide pins (in corners) must be unlocked first. ***Never use the top plate handles (D) to lift the entire fixture.***

Safety Lock – The iTech vacuum box can be locked in the closed position using the safety lock (E). Vacuum box should be locked when moving, maintaining or storing the fixture.